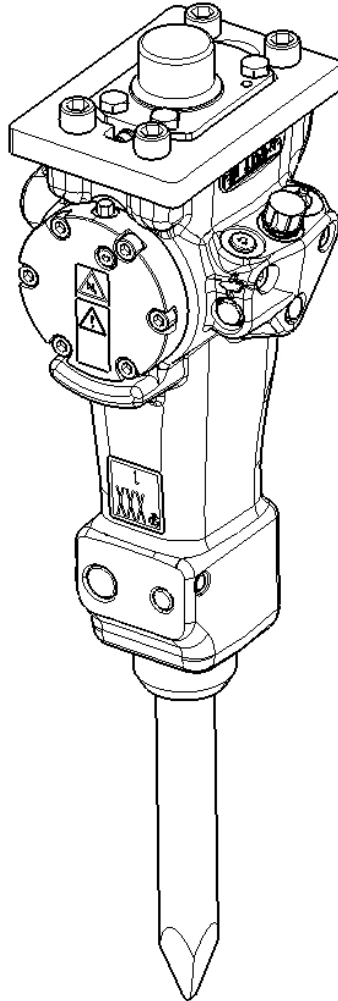


SB 52

TECHBUD

Spare parts list Hydraulic breakers

SB 52 s/n BES043707 –



General information

This spare parts list applies to the following:

Part number	Description
8460030010	SB 52

Use only authorized parts. Any damage or malfunction caused by the use of unauthorized parts is not covered by Warranty or Product Liability. Any unauthorized use or copying of the contents or any part thereof is prohibited. This applies in particular to trademarks, model denominations, part numbers, and drawings.

Instructions for use

This spare parts list contains no safety regulations and is merely intended to assist in the ordering of spare parts.

For information about operating, servicing, or repairing, the relevant Safety and operating instructions must be consulted at all costs.

Please observe the safety instructions listed in the relevant Safety and operating instructions!

Service, repair and wear part kits

Label kit 1
Seal kit 3
Accumulator repair kit 5
Lower hammer part kit 7

Mechanical

Spare parts list 9
Dimensions 12
Tightening torque 14

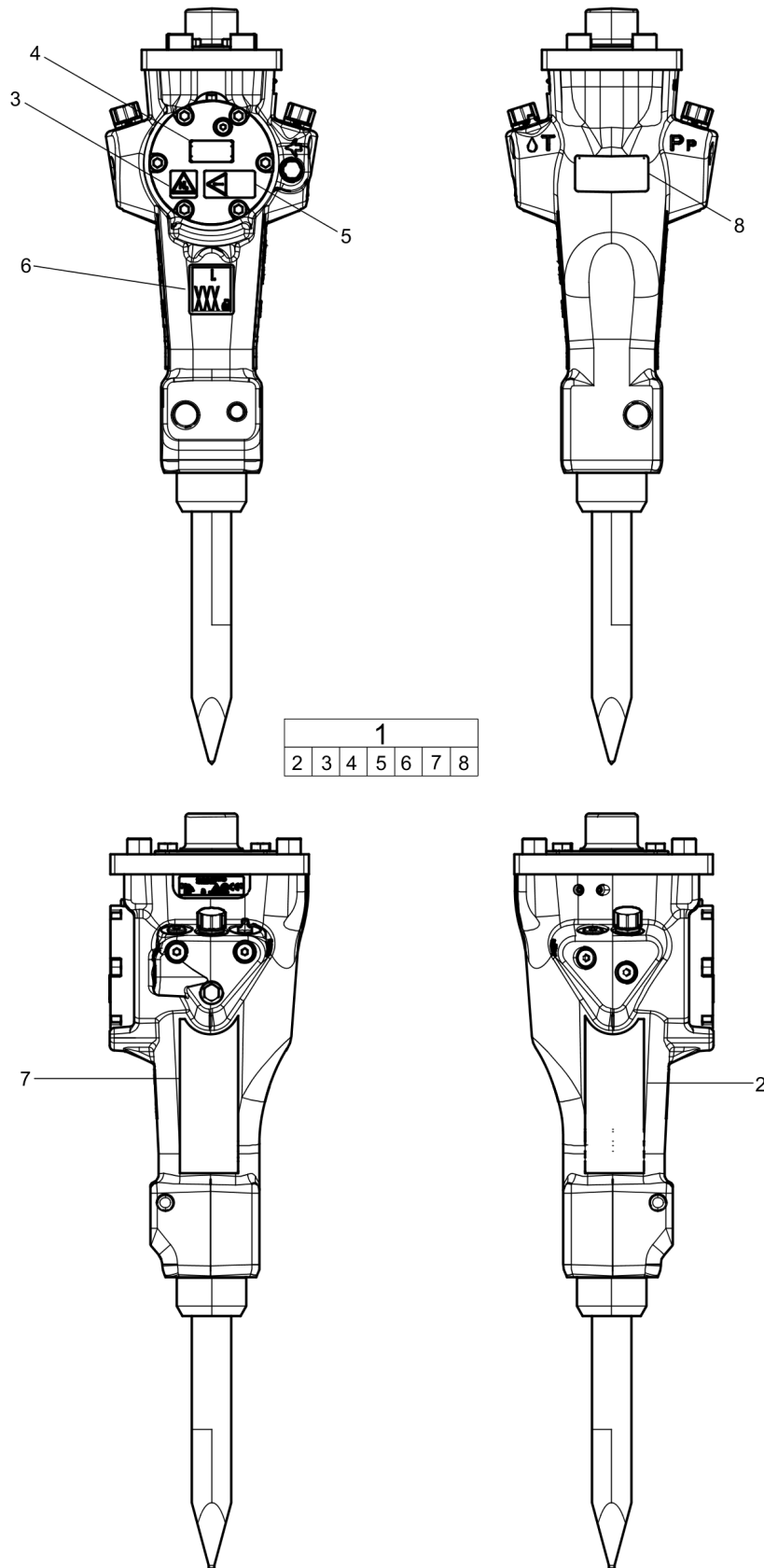
Option/accessories

Bushing oversize, complete 17
Restrictor, complete 19
Optional equipment 21
Hydraulic hoses 23
Working tools ClassicLine 25
Working tools ProLine 27

Annex

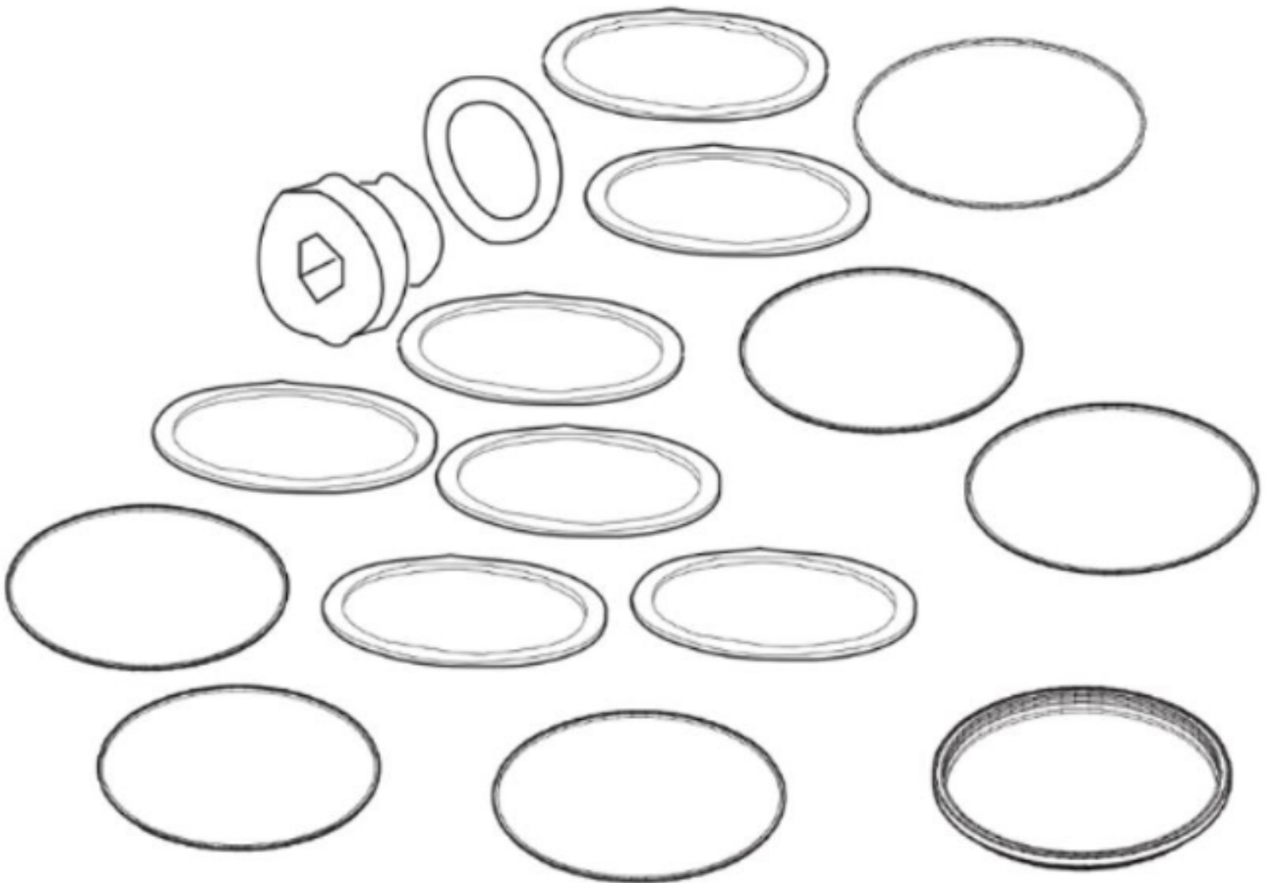
Environmental Product Compliance - REACH Declaration 29

Service, repair and wear part kits Label kit



Item	Part No.	Name	Qty	L
1	3315333591	Label kit	1	
2	--	Product label	1	
3	--	Safety label	1	
4	--	Product label	1	
5	--	Safety label	1	
6	--	Sound power label	1	
7	--	Product label	1	
8	--	Product label	1	

Service, repair and wear part kits Seal kit



Item	Part No.	Name	Qty	L
-	3315333590	Seal kit	1	
-	3315334200	Scraper ring	1	
-	0663210800	O-ring, 54.5 x 3 mm, 2.15 x 0.12 in.	4	
-	0661100048	Seal washer	1	
-	0663212000	O-RING	1	
-	0663905401	O-ring, 10.82 x 1.78 mm , 0.43 x 0.07 in. (90 shore)	2	
-	0663903201	O-RING	2	
-	0663211489	O-ring, 28.24 x 2.62 mm, 1.11 x 0.10 in.	2	
-	0665909963	Wiper	1	
-	0665070142	Piston rod seal	1	
-	0663211364	O-ring 58 x 3 mm	8	
-	0665070141	Piston rod seal	1	
-	0663210653	O-ring, 76 x 2 mm, 2.99 x 0.08 in.	1	
-	3315280800	VALVE RUBBER	1	
-	3315295000	Backup ring	1	

Service, repair and wear part kits Accumulator repair kit

NO EXPLODED VIEW
AVAILABLE
FOR THIS BOM

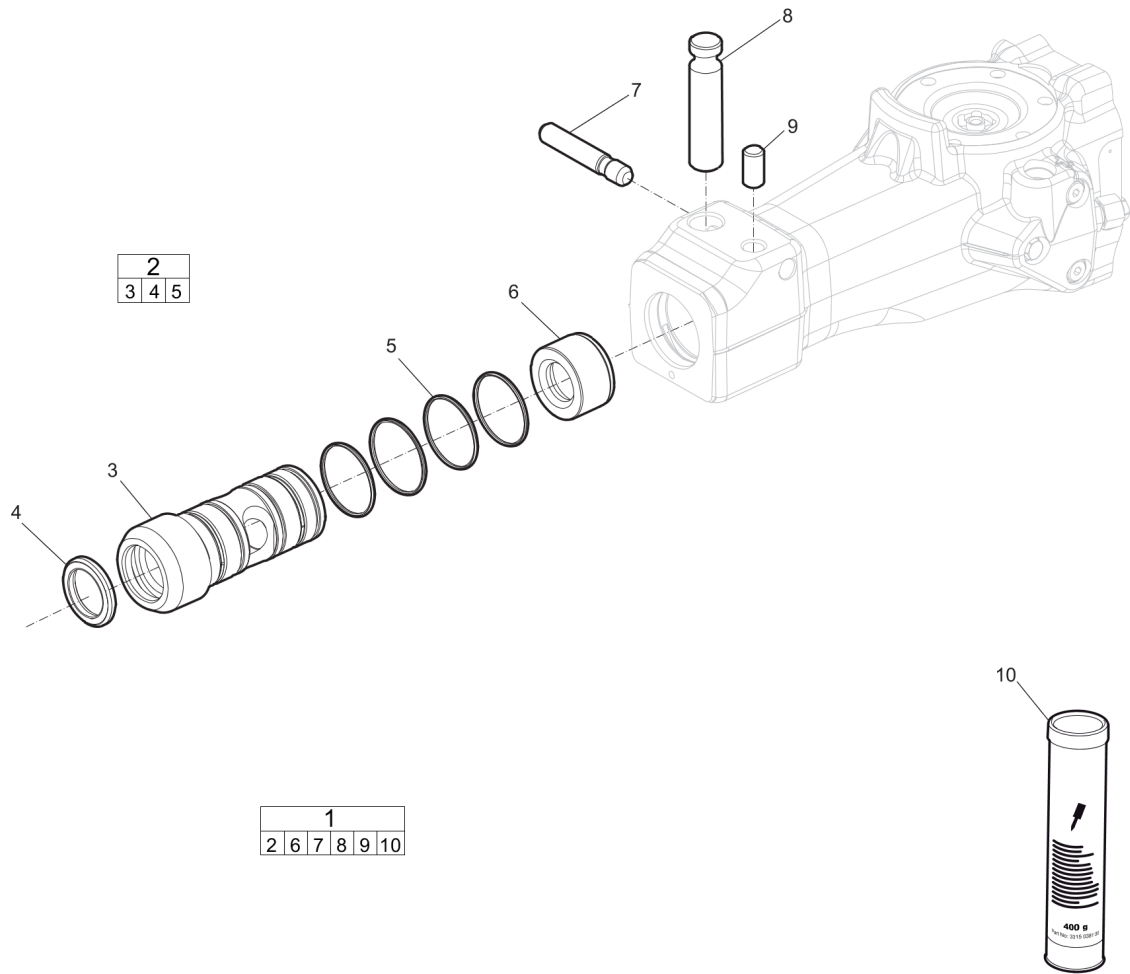
Item	Part No.	Name	Qty	L
1	3315334690	Accumulator repair kit	1	
-	0686371805	PLUG	1	A
-	3315346600	Coil spring	1	
-	3315339100	Diaphragm support	1	
-	3315346200	Diaphragm	1	
-	0211196548	Allen screw	6	
-	0661100048	Seal washer	1	
-	0663212000	O-RING	1	
-	3315346400	Charge valve	1	

Comments for Page: Accumulator repair kit

(L)OCAL REMARKS

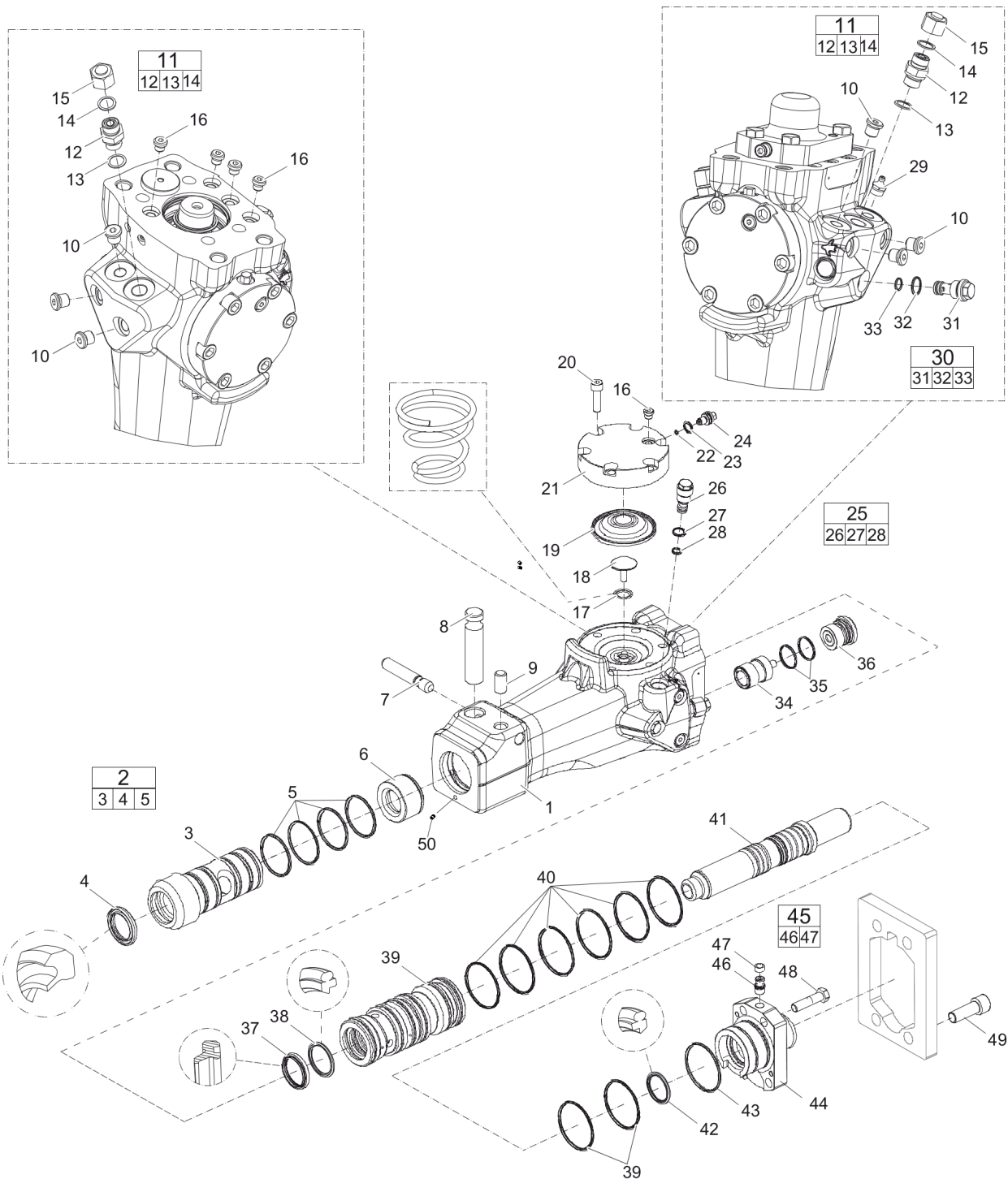
A | VSTI R 1/8-ED

Service, repair and wear part kits Lower hammer part kit



Item	Part No.	Name	Qty	L
1	3315352105	Lower hammer part kit	1	
2	3315333780	Bushing, complete	1	
3	-	BUSHING	1	
4	3315334200	Scraper ring	1	
5	0663613501	O-RING	4	
6	3315334500	Stop ring	1	
7	3315333900	Lock pin	1	
8	3315346500	Tool retainer	1	
9	3315304600	Lock buffer	1	
10	3315038100	Bio chisel paste cartridge, 12 x 400 g (0.88 lbs)	1	

Mechanical Spare parts list



Refer to the DocMine web page for most up-to-date information. The printed information might be outdated.
Tue Mar 16 09:26:10 UTC 2021

Item	Part No.	Name	Qty	L
1	-	HAMMER BODY	1	
2	3315333780	Bushing, complete	1	A
3	-	Bushing, Ø 60 mm, Ø 2.36 in.	1	
4	3315334200	Scraper ring	1	
5	0663210800	O-ring, 54.5 x 3 mm, 2.15 x 0.12 in.	4	
6	3315334500	Stop ring	1	
7	3315333900	Lock pin	1	
8	3315346500	Tool retainer	1	
9	3315304600	Lock buffer	1	
10	0686644207	PLUG	6	B
11	0570700002	NIPPLE	2	C
12	-	NIPPLE	1	
13	0664000002	Seal ring	1	
14	0663905001	O-RING	1	
15	0570700009	CAP	2	
16	0686371805	PLUG	5	D
17	3315346600	Coil spring	1	
18	3315339100	Diaphragm support	1	
19	3315346200	Diaphragm	1	
20	0211196548	Allen screw	6	
21	3315334600	Accumulator cover	1	
22	0661100048	Seal washer	1	
23	0663212000	O-RING	1	
24	3315346400	Charge valve	1	
25	3315335000	Pressure relief valve, complete	1	E
26	-	Pressure relief valve	1	
27	0663903201	O-RING	1	
28	0663905401	O-ring, 10.82 x 1.78 mm , 0.43 x 0.07 in. (90 shore)	1	
29	0544215300	GREASE NIPPLE	1	F
30	3315369537	Restrictor, complete	1	G
31	-	RESTRICTION	1	
32	0663903201	O-RING	1	
33	0663905401	O-ring, 10.82 x 1.78 mm , 0.43 x 0.07 in. (90 shore)	1	
34	3315298700	Control valve	1	
35	0663211489	O-ring, 28.24 x 2.62 mm, 1.11 x 0.10 in.	2	
36	3315365000	Valve cover	1	
37	0665909963	Wiper	1	

Refer to the DocMine web page for most up-to-date information. The printed information might be outdated.

Tue Mar 16 09:26:10 UTC 2021

Item	Part No.	Name	Qty	L
38	0665070142	Piston rod seal	1	
39	3315333800	Liner	1	
40	0663211364	O-ring 58 x 3 mm	8	
40	-	Part Description Not Available	1	
41	3315334000	Piston	1	
42	0665070141	Piston rod seal	1	
43	0663210653	O-ring, 76 x 2 mm, 2.99 x 0.08 in.	1	
44	3315333600	Back head	1	
45	3315244881	CHECK VALVE	1	
46	-	CHECK VALVE	1	
47	3315280800	VALVE RUBBER	1	
48	0147140503	SCREW, HEX HEAD	4	
49	3315333592	Bolt kit	1	
50	0686100016	Plug	3	

Comments for Page: Spare parts list

(L)OCAL REMARKS

A | For more bushings, see section "Bushings oversize, complete"

B | VSTI R 4/4-ED

C | 11/16 - 16UN G3/8A

D | VSTI R 1/8-ED

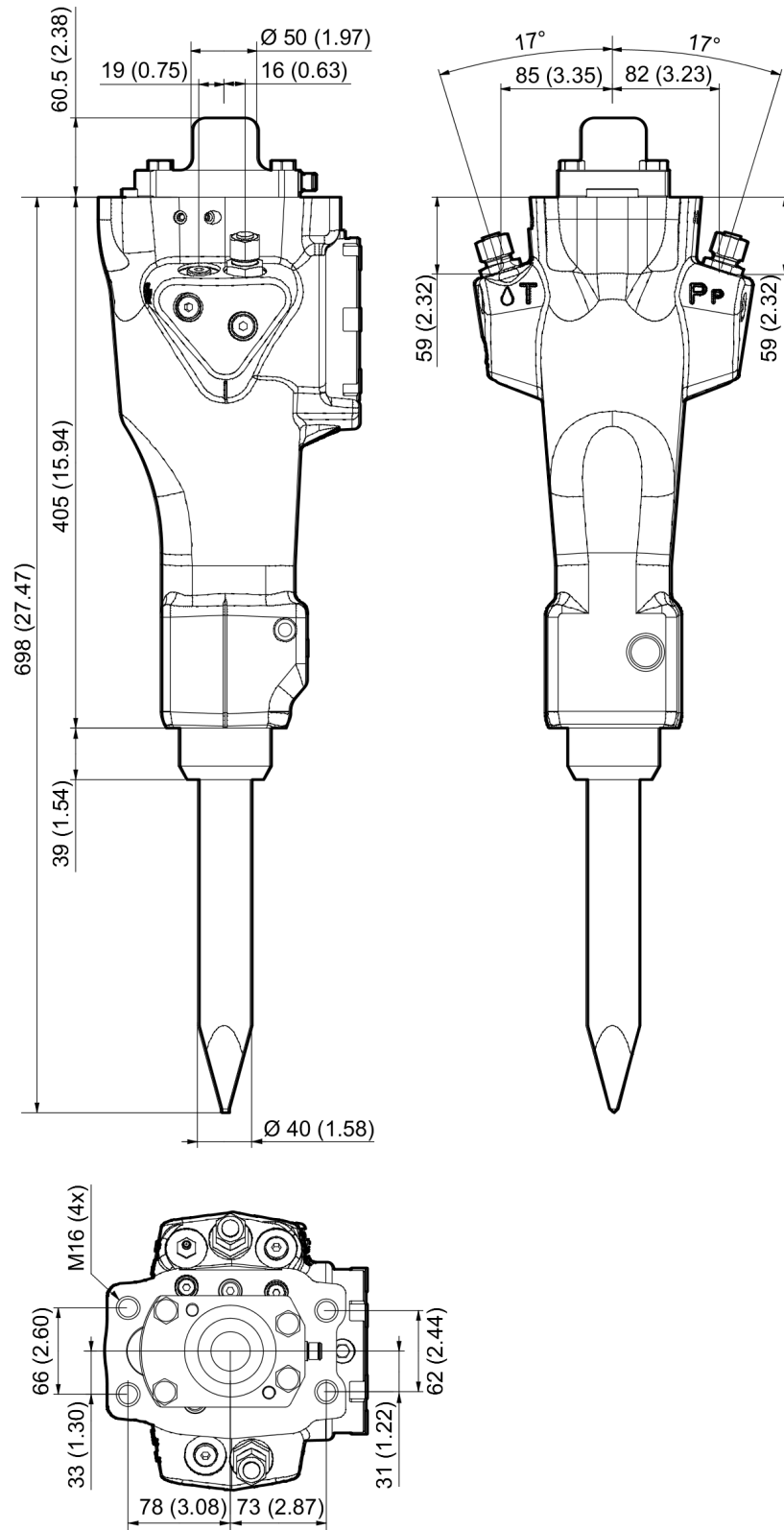
E | CAS No. see chapter "Environmental Product Compliance - REACH Declaration"

F | ISO 7 - R 1/4

G | For more restrictors, see section "Restrictor, complete"

This page intentionally left blank

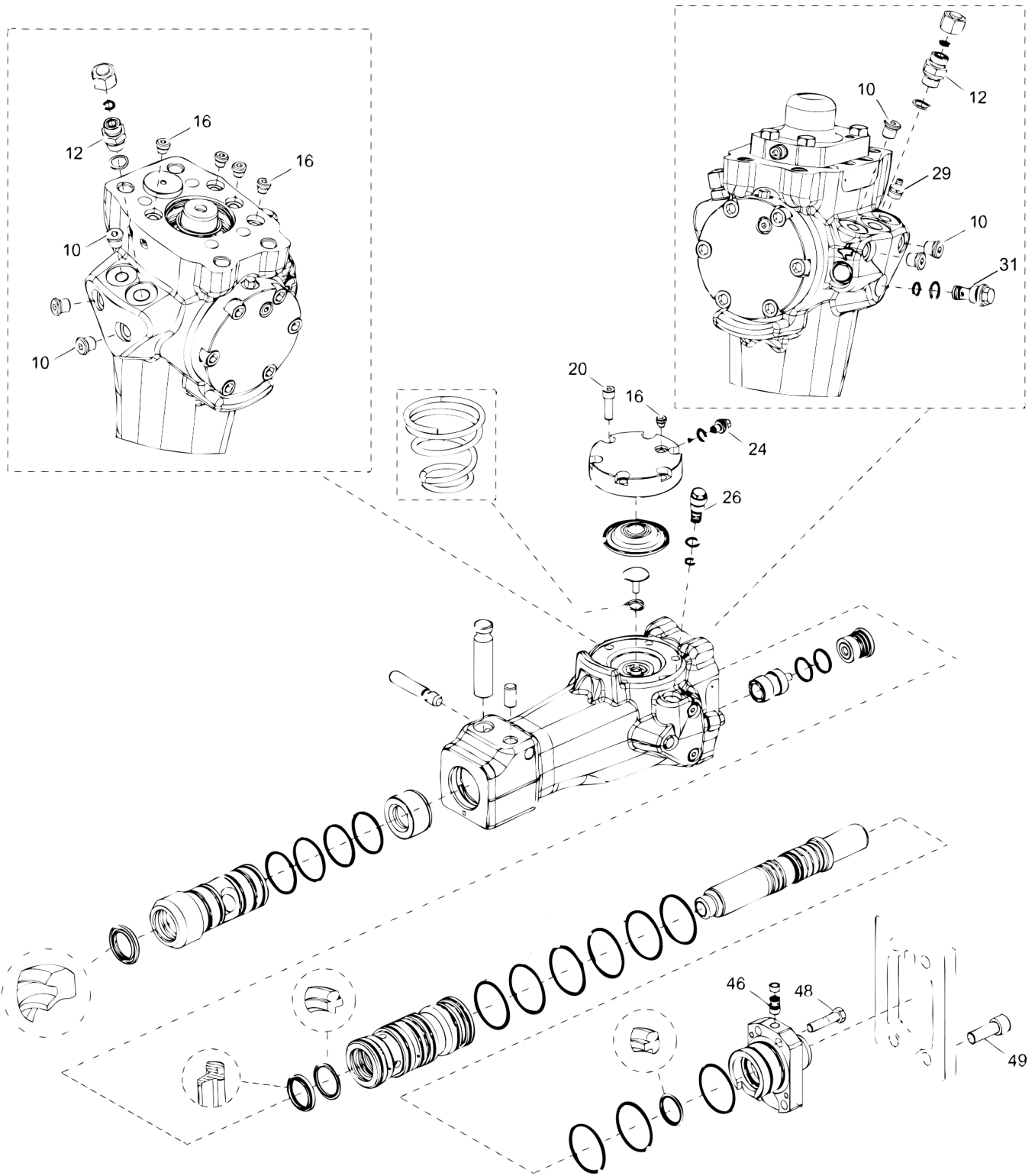
Mechanical Dimensions



Refer to the DocMine web page for most up-to-date information. The printed information might be outdated.
Tue Mar 16 09:26:10 UTC 2021

This page intentionally left blank

Mechanical Tightening torque



Refer to the DocMine web page for most up-to-date information. The printed information might be outdated.

Tue Mar 16 09:26:11 UTC 2021

Item	Part No.	Name	Qty	L
10	-	Plug - 30 Nm	-	A
12	-	Nipple - 80 Nm	-	
16	-	Plug - 20 Nm	-	B
20	-	Hexagon socket screw - 75 Nm	-	C
24	-	Charge valve - 27 Nm	-	
26	-	Pressure relief valve - 80 Nm	-	
29	-	Grease nipple - 30 Nm	-	
31	-	Restrictor - 80 Nm	-	
46	-	Check valve - 30 Nm	-	D
48	-	Hexagon head screw - 75 Nm	-	E
49	-	Set of four hexagon socket screw - 290 Nm	-	F

Comments for Page: Tightening torque

LOCTITE is a registered trademark of Henkel Corporation. 243 is a trademark of Henkel Corporation. Molykote is a registered trademark of Dow Corning Corporation.

(LOCAL REMARKS

A | LOCTITE® 243™

B | LOCTITE® 243™

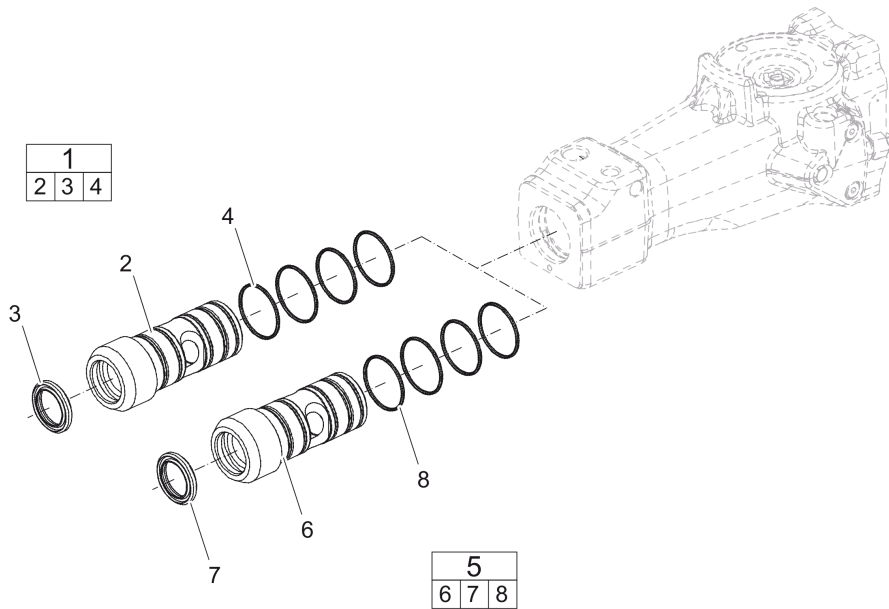
C | Molykote®

D | LOCTITE® 243™

E | Molykote®

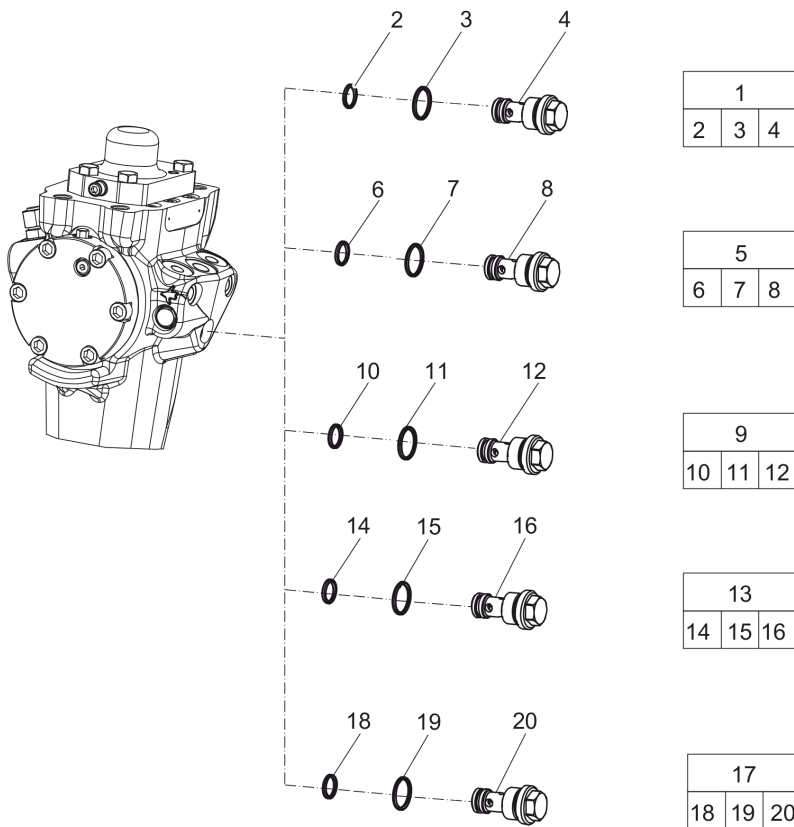
F | Molykote®

Option/accessories Bushing oversize, complete



Item	Part No.	Name	Qty	L
1	3315333760	Bushing oversize, complete	1	
2	--	Bushing, Ø 61.5 mm, Ø 2.42 in.	1	
3	3315334200	Scraper ring	1	
4	0663210800	O-ring, 54.5 x 3 mm, 2.15 x 0.12 in.	4	
5	3315333763	Bushing oversize, complete	1	
6	--	Bushing, Ø 63.0 mm, Ø 2.48 in.	1	
7	3315334200	Scraper ring	1	
8	0663210800	O-ring, 54.5 x 3 mm, 2.15 x 0.12 in.	4	

Option/accessories Restrictor, complete



Item	Part No.	Name	Qty	L
1	3315369522	Restrictor, complete	1	
2	--	O-ring, 10.82 x 1.78 mm , 0.43 x 0.07 in. (90 shore)	1	
3	--	O-ring, 15.60 x 1.78 mm , 0.61 x 0.07 in. (90 shore)	1	
4	--	Restrictor, \varnothing 2.2 mm, \varnothing 0.09 in.	1	
5	3315369524	Restrictor, complete	1	
6	--	O-ring, 10.82 x 1.78 mm , 0.43 x 0.07 in. (90 shore)	1	
7	--	O-ring, 15.60 x 1.78 mm , 0.61 x 0.07 in. (90 shore)	1	
8	--	Restrictor, \varnothing 2.4 mm, \varnothing 0.09 in.	1	
9	3315369536	Restrictor, complete	1	
10	--	O-ring, 10.82 x 1.78 mm , 0.43 x 0.07 in. (90 shore)	1	
11	--	O-ring, 15.60 x 1.78 mm , 0.61 x 0.07 in. (90 shore)	1	
12	--	Restrictor, \varnothing 3.0 mm, \varnothing 0.12 in.	1	
13	3315369538	Restrictor, complete	1	
14	--	O-ring, 10.82 x 1.78 mm , 0.43 x 0.07 in. (90 shore)	1	
15	--	O-ring, 15.60 x 1.78 mm , 0.61 x 0.07 in. (90 shore)	1	
16	--	Restrictor, \varnothing 3.8 mm, \varnothing 0.15 in.	1	
17	3315369527	Restrictor, complete, \varnothing 2.7 mm, \varnothing 0.11 in.	1	
18	--	O-ring, 10.82 x 1.78 mm , 0.43 x 0.07 in. (90 shore)	1	
19	--	O-ring, 15.60 x 1.78 mm , 0.61 x 0.07 in. (90 shore)	1	
20	--	Restrictor, \varnothing 2.7 mm, \varnothing 0.11 in.	1	

Option/accessories Optional equipment

NO EXPLODED VIEW
AVAILABLE
FOR THIS BOM

Item	Part No.	Name	Qty	L
-	0909107100	LUBRICAT.GUN	1	A
-	3363094913	Chisel paste cartridge for grease gun, 12 x 400 g (0.88 lbs)	1	
-	3315383190	ContiLube II micro	1	
-	3315386780	Welding kit, universal	1	B
-	3315386280	Hose kit, universal	1	C
-	3363106447	Chisel paste cartridge, 150 g x 12, 0.33 lb x 12	1	
-	3363094669	Filling device	1	D
-	3315383980	Filling adapter	1	E
-	3363066411	Filling device	1	F
-	3362263900	Chisel paste container (15 kg)	1	G
-	3363122801	Chisel paste container (45 kg)	1	H
-	3360920415	Filling device for accumulator	1	
-	3363094459	Nipple, for charging the accumulator	1	
-	3361329803	Filling hose for charging the accumulator	1	
-	3315353100	Bushing wear controller	1	

Comments for Page: Optional equipment

(L)OCAL REMARKS

A | for manual greasing with cartridge 400 g (0.88 lb)

B | for Contilube™ II micro

C | for Contilube™ II micro

D | for Chisel paste cartridges 150 g (0.33 lb) to use in combination with Chisel paste container 15 kg (33 lb)

E | for Chisel paste cartridges 150 g (0.33 lb)

suitable to Filling device for 15 kg (33 lb) and 45 kg (99 lb)

F | for Chisel paste cartridges 150 g (0.33 lb) to use in combination with Chisel paste container 45 kg (99 lb)

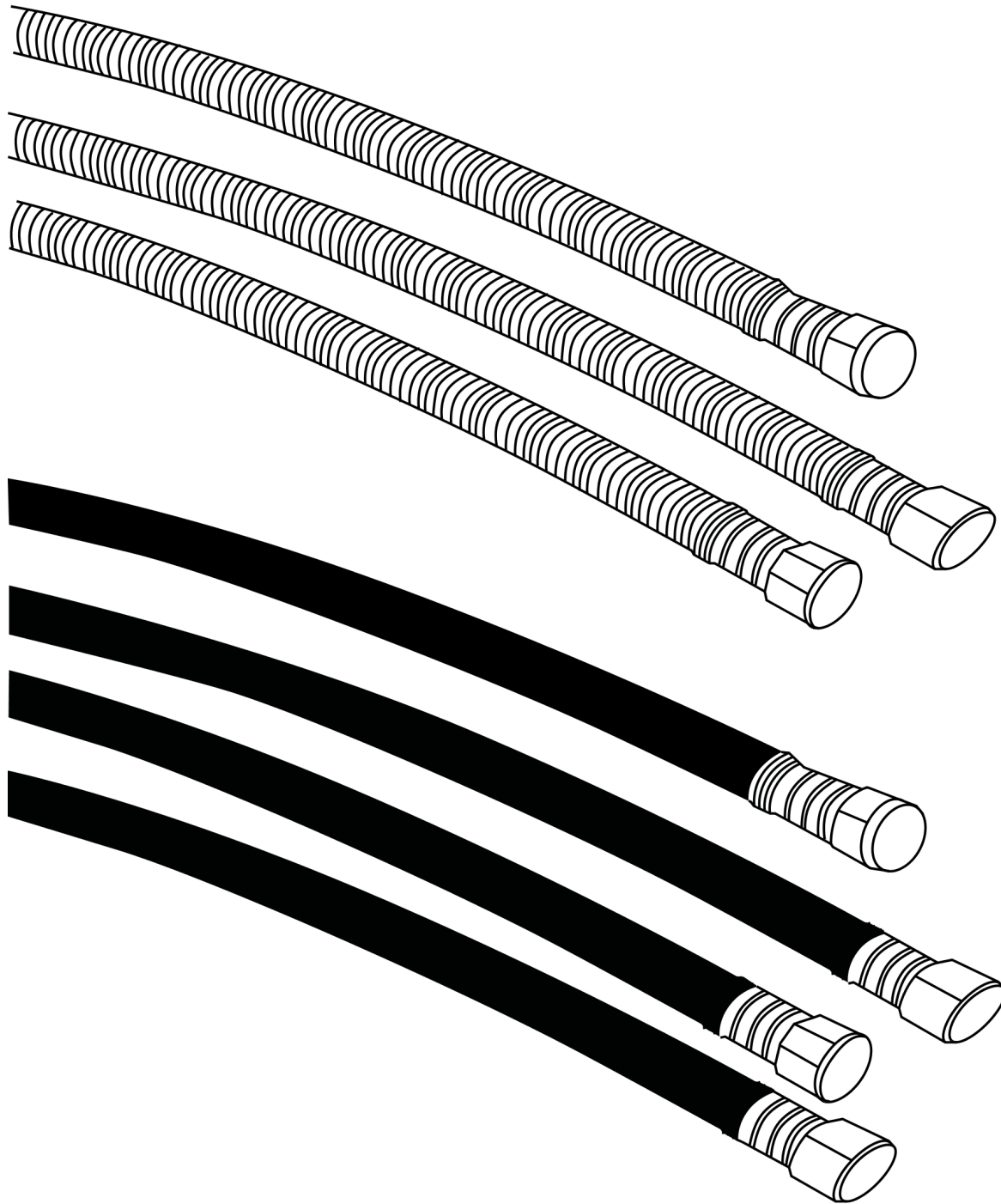
G | 15 kg

33 lb

H | 45 kg

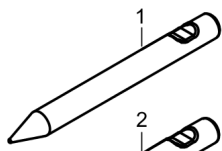
99 lb

Option/accessories Hydraulic hoses

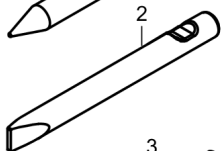


Item	Part No.	Name	Qty	L
1	-	Heavy Duty Connection Hoses with Steel Spring Protection	1	
2	3363116917	Hydraulic hose, I.D. 12 (0.47"), both ends M 22 x 1.5, conical seal 24°, length 1000 mm (39.4 in.)	1	
3	3363115422	Hydraulic hose, I.D. 12 (0.47"), both ends M 22 x 1.5, conical seal 24°, length 1500 mm (59.05 in.)	1	
4	3361353551	Hydraulic hose, I.D. 12 (0.47"), both ends M22 x 1.5, conical seal 24°, length 1750 mm (69 in.)	1	
5	3363085946	Hydraulic hose, I.D. 12 (0.47"), both ends M22 x 1.5, conical seal 24°, length 2100 mm (83 in.)	1	
6	-	Standard Connection Hoses	1	
7	3363115420	Hydraulic hose, I.D. 12 (0.47"), both ends M 22 x 1.5, conical seal 24°, length 1500 mm (59.05 in.)	1	
8	3363491001	Hydraulic hose, I.D. 12 (0.47"), both ends M22 x 1.5, conical seal 24°, length 1750 mm (69 in.)	1	
9	3363115421	Hydraulic hose, I.D. 12 (0.47"), both ends M 22 x 1.5, conical seal 24°, length 2100 mm (82.68 in.)	1	
10	3363098017	Additional fitting set	1	

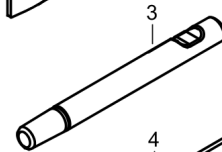
Option/accessories Working tools ClassicLine



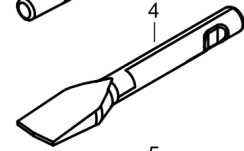
L=254 mm, LT=420 mm, Wt=3,9 kg
L=10.00 inch, LT=16.54 inch, Wt=8.5 lb



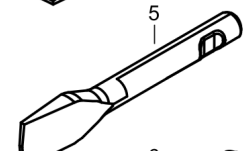
L=254 mm, LT=420 mm, Wt=3,8 kg
L=10.00 inch, LT=16.54 inch, Wt=8.5 lb



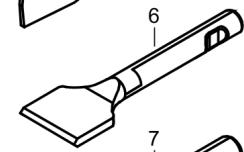
LT=400 mm, Wt=3,8 kg
LT=15.75 inch, Wt=8.4 lb



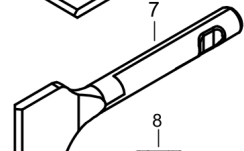
W=75 mm, L=254 mm, LT=420 mm, Wt=4,2 kg
W=2.95 inch, L=10.00 inch, LT=16.54 inch, Wt=9.2 lb



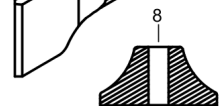
W=75 mm, L=254 mm, LT=420 mm, Wt=4,3 kg
W=2.95 inch, L=10.00 inch, LT=16.54 inch, Wt=9.5 lb



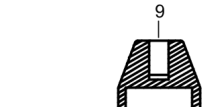
W=120 mm, L=254 mm, LT=420 mm, Wt=4,4 kg
W=4.72 inch, L=10.00 inch, LT=16.54 inch, Wt=9.7 lb



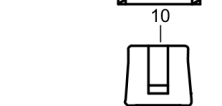
W=120 mm, L=254 mm, LT=420 mm, Wt=4,4 kg
W=4.72 inch, L=10.00 inch, LT=16.54 inch, Wt=9.7 lb



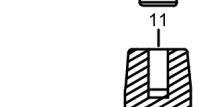
W= Ø200 mm, Wt=15 kg
W=Ø7.87 inch, Wt=33.1 lb



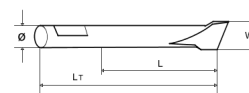
W=Ø100 mm, Wt=8.5 kg
W=Ø3.94 inch, Wt=18.7 lb



W=Ø50 mm, Wt=3.3 kg
W=Ø1.97 inch, Wt=7.3 lb

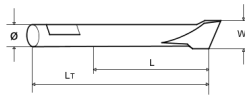
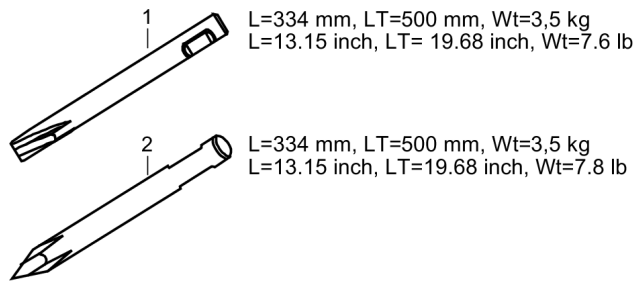


W=Ø90 mm, Wt=4.1 kg
W=Ø3.54 inch, Wt=9.0 lb



Item	Part No.	Name	Qty	L
1	3083340918	Moil point	1	
2	3083340919	Chisel (cross)	1	
3	3315369901	Shaft	1	
4	3083340920	Wide chisel (cross)	1	
5	3083340921	Wide chisel (parallel)	1	
6	3083340922	Asphalt cutter (cross)	1	
7	3083340923	Asphalt cutter (parallel)	1	
8	3315370600	Tamping pad (square)	1	
9	3315371400	Post driver pad (round)	1	
10	3315372100	Pile driver pad (round)	1	
11	3315372800	Bushing pad (round)	1	

Option/accessories Working tools ProLine



Item	Part No.	Name	Qty	L
1	3363098258	Moil point (X-profile)	1	
2	3363120257	Chisel (X-Profile)	1	

Annex Environmental Product Compliance - REACH Declaration

NO EXPLODED VIEW
AVAILABLE
FOR THIS BOM

Item	Part No.	Name	Qty	L
25	-	Pressure relief valve, complete, Part No. 3315335000 - CAS No. 7439-92-1	-	

AUTORYZOWANY PARTNER:

TECHBUD

SILNIKI • MASZYNY BUDOWLANE • DROGOWE • AGREGATY

Techbud Sp. z o.o.
ul. Gorzowska 12
65-127 Zielona Góra

tel. +48 68 470 72 50
fax +48 68 470 72 51
www.techbud.eu
techbud@techbud.eu